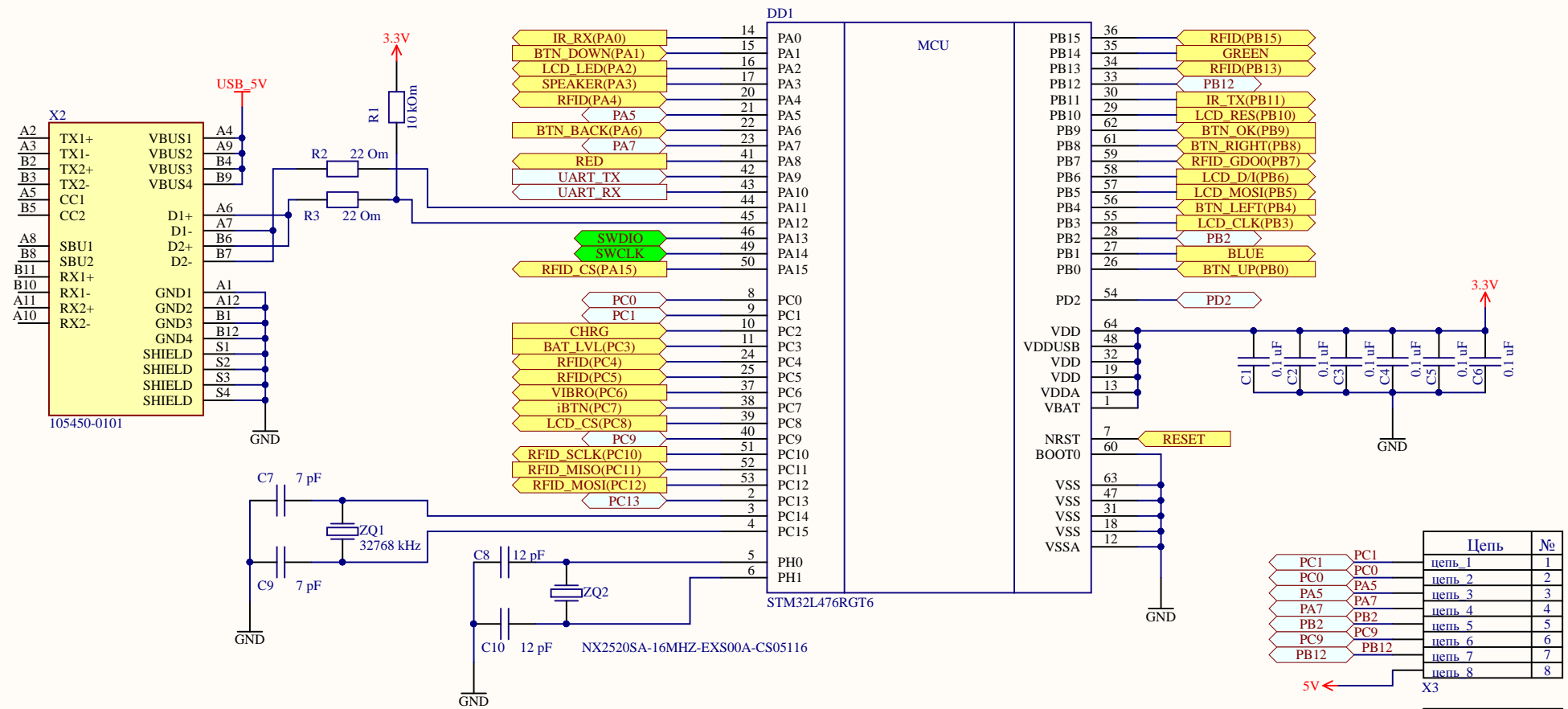


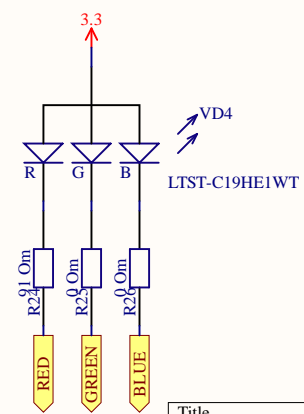
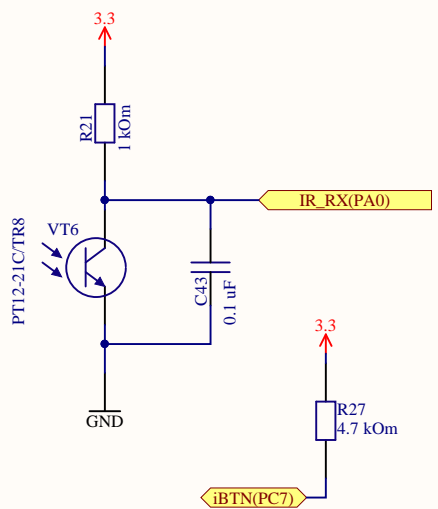
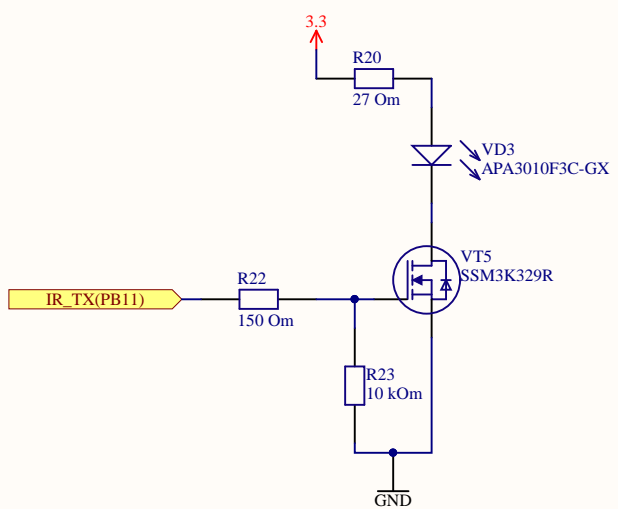
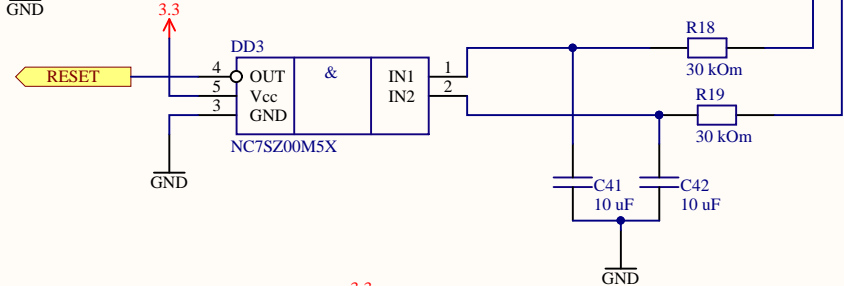
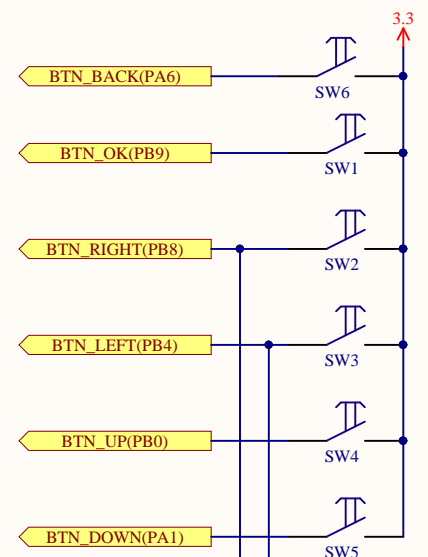
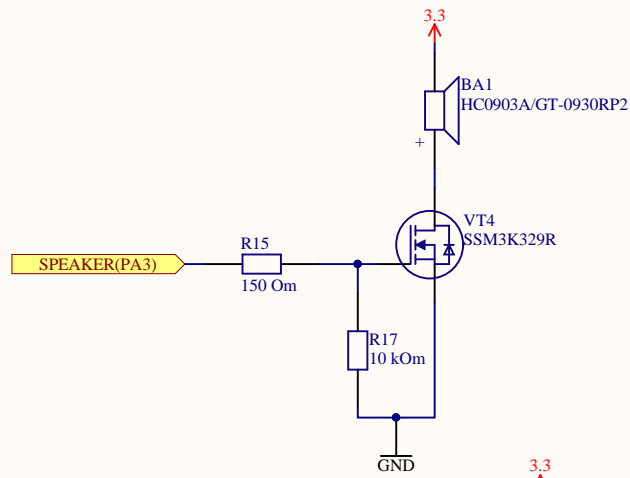
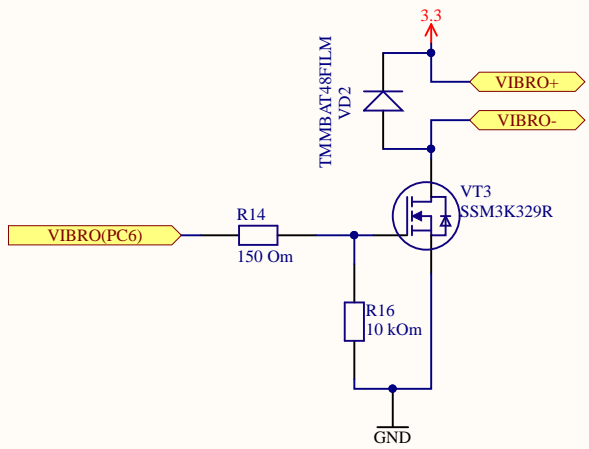
Title		
Size A4	Number	Revision
Date: 08.05.2020	Sheet of	
File: D:\WORK\..\Flipper_zero_LCD_rev_1_0.5.doc By:		



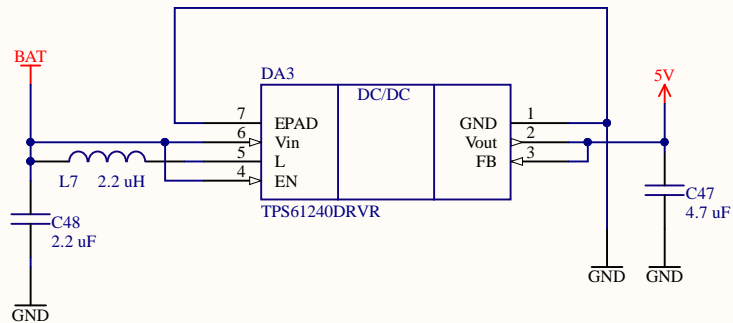
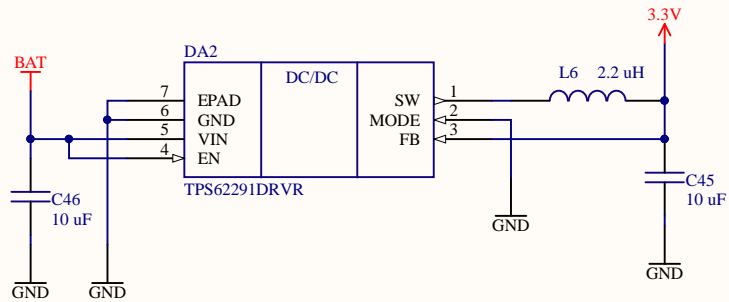
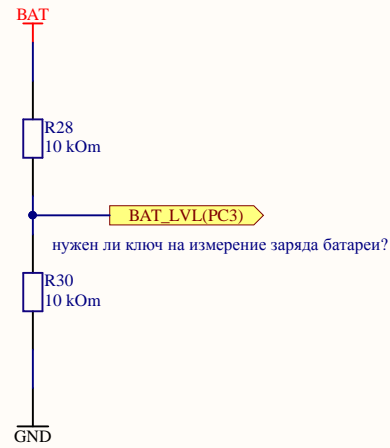
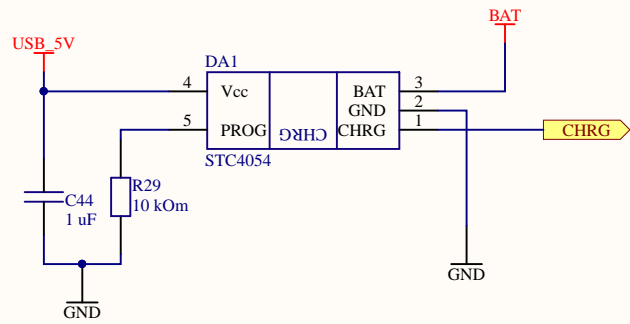
Цепь	№		
PC1	PC1	цепь 1	1
PC0	PC0	цепь 2	2
PA5	PA5	цепь 3	3
PA7	PA7	цепь 4	4
PB2	PB2	цепь 5	5
PC9	PC9	цепь 6	6
PB12	PB12	цепь 7	7
		цепь 8	8

Цепь	№		
SWDIO	SWDIO	цепь 1	1
SWCLK	SWCLK	цепь 2	2
U_RX	U_RX	цепь 3	3
U_TX	U_TX	цепь 4	4
PD2	PD2	цепь 6	6
PC13	PC13	цепь 7	7
		цепь 8	8

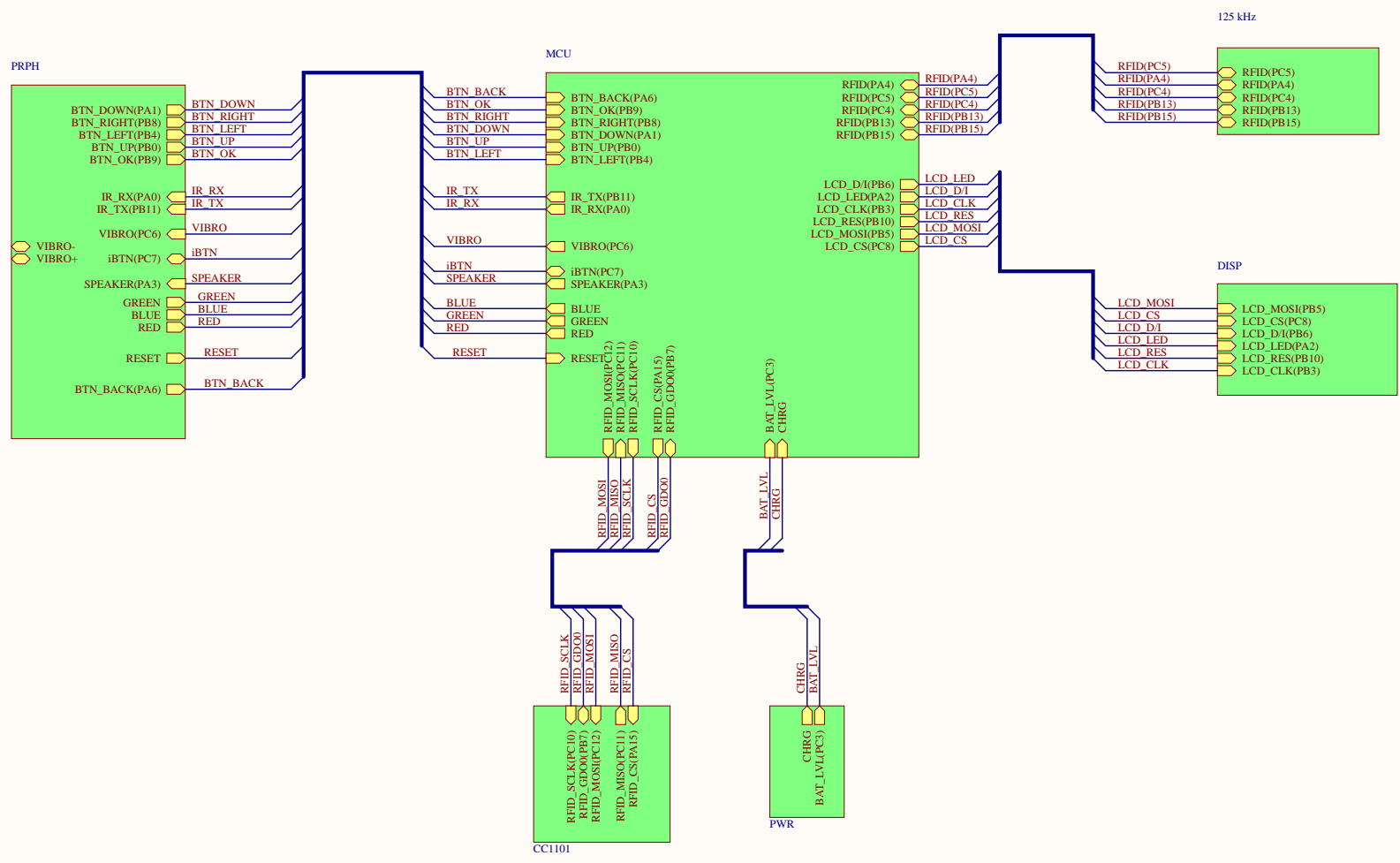
Title		
Size	Number	Revision
A4		
Date:	08.05.2020	Sheet of
File:	D:\WORK\...\Flipper_zero_MCU_rev_1_0	By: S.D.



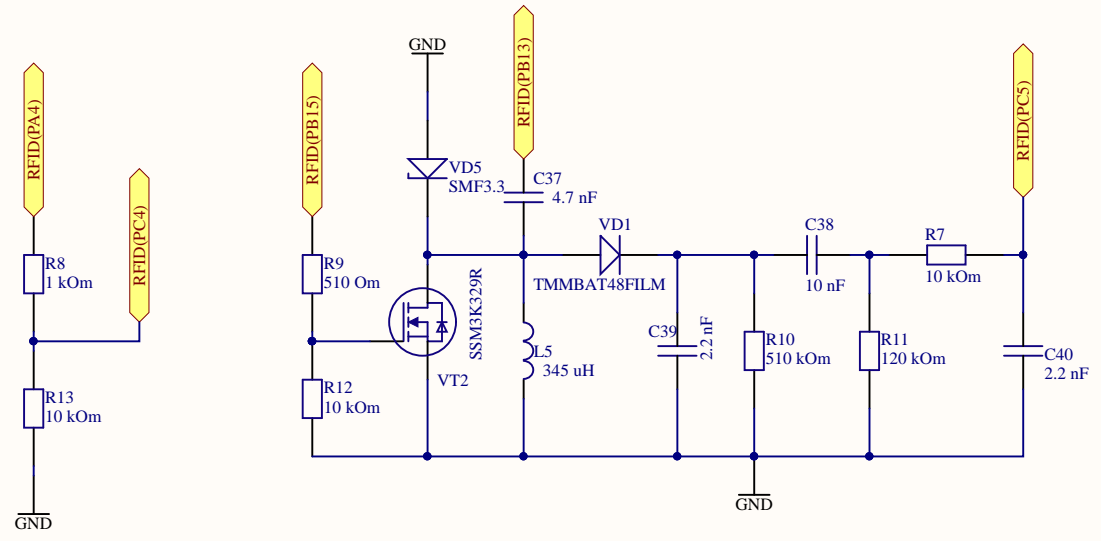
Title		
Size	Number	Revision
A4		
Date:	08.05.2020	Sheet of
File:	D:\WORK\..\Flipper_zero_PERIPHERY	Drawn by Doc



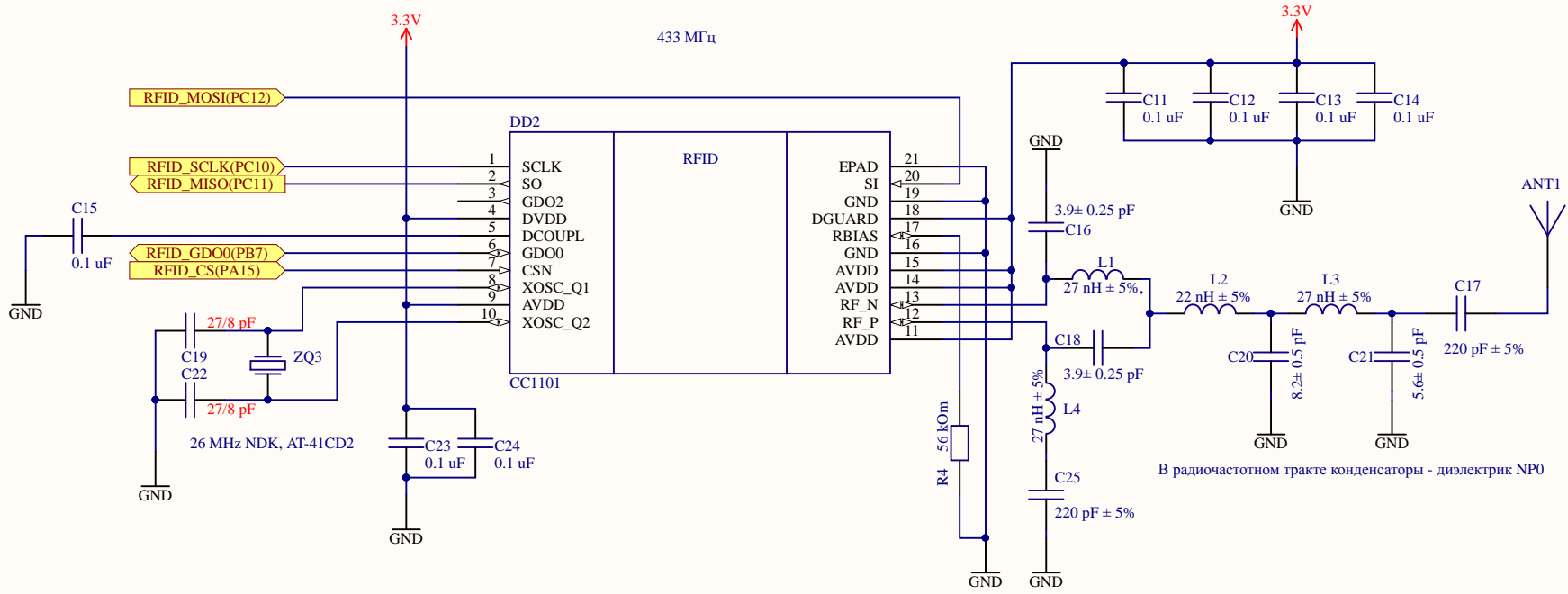
Title		
Size	Number	Revision
A4		
Date:	08.05.2020	Sheet of
File:	D:\WORK\..\Flipper_zero_POWER_rev	ID:SchDoc



Title		
Size	Number	Revision
A3		
Date:	08.05.2020	Sheet of
File:	D:\WORK\...\Flipper_zero_rev_1_0.Sch	Drawn By:



Title		
Size	Number	Revision
A4		
Date:	08.05.2020	Sheet of
File:	D:\WORK\..\Flipper_zero_RFID_125kHz\Drawn B.SchDoc	



Title		
Size	Number	Revision
A4		
Date:	08.05.2020	Sheet of
File:	D:\WORK\..\Flipper_zero_CC1101_rev_1.D.SchDoc	1 of 1